

Dear Customer,

ISP Alarm Indicator has been manufactured by TELEPRO ENERGY in Turkey. All functional tests of device that you purchased are verified by our technical department. ISP Alarm Indicator has 2 years warranty against manufacturing faults. Before performing any electrical connection, PLEASE Check the ISP Typical wiring at the back page.

Have a good work.

Your respectfully,

Contents of product package

- 1 Pc. ISP Alarm Indicator
- 1 Pc. Front panel frame
- 1 Pcs. Connection terminal-10 input
- 1 Pc. Connection terminal-3 input
- 4 Pcs. Board connection equipment to be used for two side fixation.

Configuration:

I- Plug in "K" terminal (Supply and relay output)

II- After Plugged "K" terminal, ISP runs startup self test procedure

III- Self test steps are as follows;

- a- In the first step;
All leds are solid and Internal buzzer turns on,
"Safe/Fail" led blinks green in 4Hz
- b- In the second step;
Input channel leds and buzzer turn off

IV- In order to enter config mode ; Press "Test Button" and "Horn buton" together for 3 sec.

V- After 3 sec.

- a- First input channel led blinks in 4Hz
- b- Other input channels leds are off
- c- "Horn/Silent" led turns off and "Safe/Fail" led blinks green in 4Hz

VI- Press "Horn Button" to setup alarm output type (Horn or Bell) for input channel 1 while this led blinks red in this step. When pressing "Horn Button", colour of channel 1 led changes to blinking green. (Blinking Red means Horn Output / Blinking green means Bell Output)

VII- Press "Test Button" to skip to the next input channel. When pressing "test buton", next channel led blinks red.

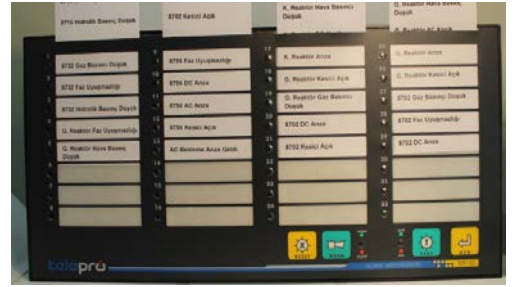
VIII- Press "Ack Button" to save input channel settings or Press "Reset Button" to cancel configuration settings. When pressing "Ack Button", ISP will save your configuration and restart itself.

! If any button is not pressed for 60 sec in config mode, then ISP returns to the latest working Process Mode

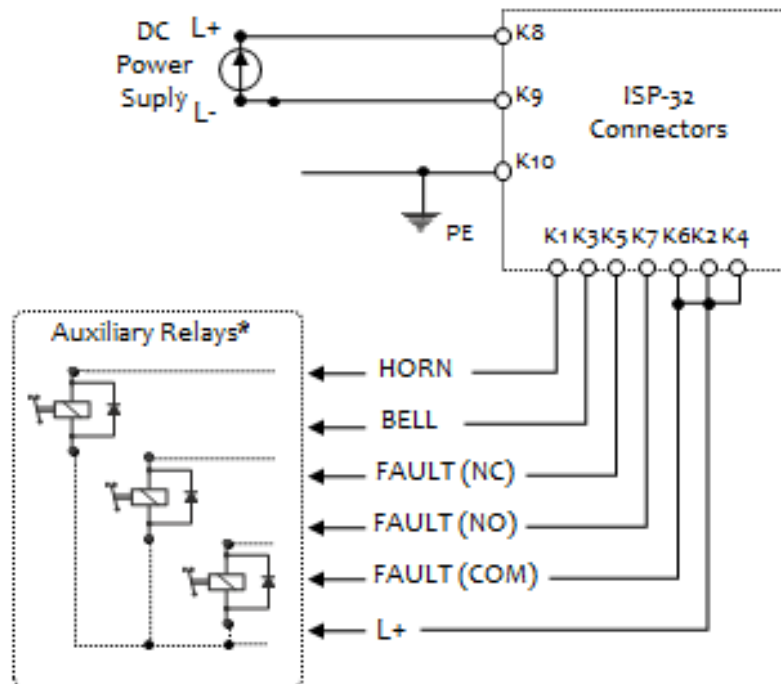
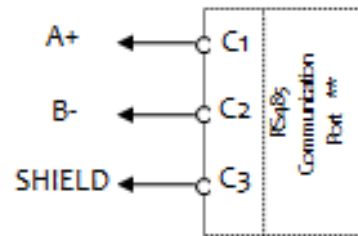
Picture1-Gently hold and unlock front panel frame at one side as shown

Picture2-Remove front panel frame from the unit

Picture3-Insert tag label into slots as seen below



ISP-32-DX WIRING SCHEME



*Kullanılması Zorunludur
 *Strongly Recommended to use