



ISP-16-DX Alarm Indicator

- 16 CHANNELS LED TECHNOLOGY
- ALARM ANNUNCIATOR FUNCTION WITHOUT HARDWIRING TO FIELD CONTACTS
- DEFAULT COMMUNICATION FEATURE. ISOLATED RS485 PORT AND MODBUS RTU PROTOCOL SUPPORT
- ELIGIBLE TO BE USED IN SCADA/AUTOMATION SYSTEMS
- RELIABLE PERFORMANCE UNDER ELECTROMAGNETIC INTERFERENCE
- WORKING WITH DIFFERENT VOLTAGE LEVELS. (24/48 ,110 AND 220 VDC)
- EASY PROGRAMMING WITH ISPSIM™ SOFTWARE
- CAPABILITY OF RELAY OUTPUT SELECTION FOR EACH CHANNEL BY USING PUSH BUTTONS ON THE FRONT PANEL
- HIGH QUALITY AND LONG LIFE POWER SUPPLY WITH PROTECTION FOR OVER TEMPERATURE, SHORTCIRCUIT, OVERCURRENT/OVERVOLTAGE,

TELEPRO-ISP-16-DX Alarm Indicator is a flexible, functional and reliable product used in the protection and control automation systems.

Our product, combining low cost with good quality, compact and unique design, is an unrivaled product with communication features.

In ISP-16-DX, hardwiring inputs are eliminated. Alarms are expected to reach the device via modbus communication.

Horn and bell selection can be done with pushbuttons as well as all the parameters can be set via ISPSIM™ software.

Default RS485 communication port supports Modbus RTU and could be easily integrated to the SCADA systems.

ISP-16-DX could be easily labelled by the aid of dedicated labeling template provided by TELEPRO®.

GENERAL DATA

MODULAR CONSTRUCTION

TELEPRO-ISP16 Alarm Annunciator is an advanced technology product providing compact, flexible programming and labelling options.

It could be easily used in the wide area protection systems, thanks to the parallel working feature.

COMMUNICATION (DEFAULT)

Our models with communication provide galvanic isolation protection as a standard, support Modbus RTU protocol through integrated RS485 port and get easily connected to the SCADA systems.

LED INDICATION

LED indication, providing ultra bright illumination which could be seen even in the high lighting environments, is supplied as default for all models.

FULL SOFTWARE CONFIGURATION

With the help of ISPSim™ software (*); relay selection (horn-bell), and ModbusID setting can be programmed.

ISA18.1 Sequence Code is set to Code M (Manuel RESET) as standard.

In addition, horn-bell selection of all channels can be safely (and independently from software) set with the push buttons on the front panels without opening panel doors. With the advantages resulted from unique design, needs for dip switches are eliminated.

(*)PS: ISPSim™ software can be downloaded from Telepro website.

INPUTS

All hardwiring inputs are eliminated. Alarms are expected to reach the device via modbus communication. By doing so, you can save cabling for all inputs.

RELAY OUTPUTS

TELEPRO-ISP16 provides 2pcs of NO FormA type dry contact relay outputs by default. Outputs are set to HORN or BELL alternatives. All channels can be set to one of these alternatives with software or push buttons on the front panel. Additionally it provides FAULT relay having FormC type NC/NO with common terminal so as to indicate internal system faults.

HIGH QUALITY POWER SUPPLY

TELEPRO-ISP16, can be supplied with 3 different voltage level in order to meet the different alternatives used in the distribution system automation. It can be freely connected to the voltage levels of 24/48V, 110V and 220V DC. Power supply with the design of protection against shortcircuit, overcurrent/overvoltage and over temperature, guarantees long life.

DISPLAY AND LABELING

Having front panel design which membrane featured, providing high quality appearance. Easily changed, printed out labelling system with the front label size of 46,5x10,5 mm dedicated for each channel, is having an user friendly design. Window for each channel can be named with label template supplied by TELEPRO®. Whenever requested, labels can be easily changed.

CASE AND MOUNTING

TELEPRO-ISP16, is provided in case configuration, with panel type and UL94Vo_Self-extinguish standard. Mechanical protection of our standard case is of IP51 (from the front). Having Standard dimensions of (144x144x77 mm) and weight of 585gr. With user friendly screwed mounting system, it can be fast and safely mounted / dismantled.

EASY TO USE

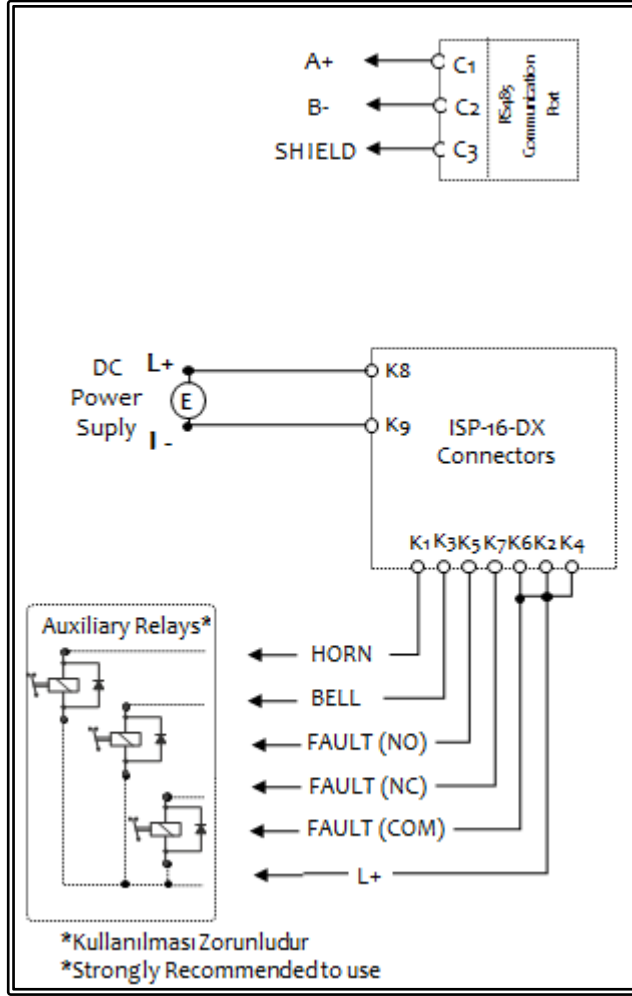
Each inputs are transferred via modbus from scada application. Each channel can be set to HORN or BELL relay according to operator choice. These settings provide difference in LED indication too. Corresponding channel turns to GREEN when setting to BELL, it turns to RED when setting to HORN. (Optionally Red/Yellow alternative available)



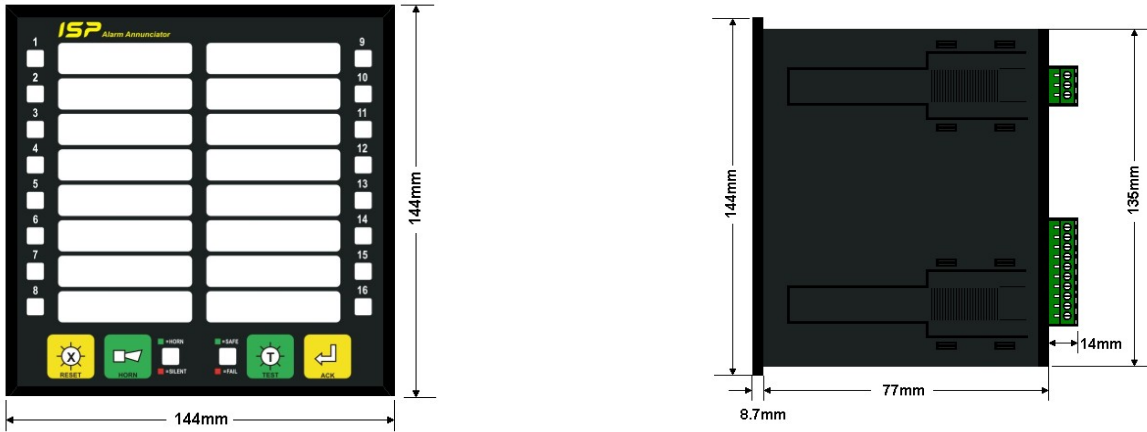
TECHNICAL SPECIFICATIONS

Product Type	ISP-16-DX		
Supply			
Supply Voltage	24/48Vdc	110Vdc	220Vdc
Supply Voltage range	18-60Vdc	88-132Vdc	176-242Vdc
Supply power	5w		
Channels			
Qty of Channels	16 pcs		
Type of Channels	Soft inputs (they are activated via modbus communication)		
Outputs			
Contact Outputs	48Vdc-1A / 250Vdc-0.2A		
Horn Relay	1-Form-A drycontact relay (SPST) (NO)		
Bell Relay	1-Form-A drycontact relay(SPST) (NO)		
Fault Relay	1-Form-C drycontact relay(SPDT) (NO/NC)		
Communication			
Communication Port	2 wires, RS485		
Communication Protocol	Modbus RTU (19200,8,n,1)		
HEEP3000 Integration			
ISP RTU Integration	Yes		
User Interface			
PushButton	Test – Horn – Ack – Reset		
Front Panel	Dual Layer, Embossed, Multi Color Membrane, With Sticker Slots		
Window dimensions(WxL)	46,5x10,5 mm		
Indication	5mm, 2 coloured (Red / Green) LED (Optional Red/YellowLED)		
Audible indication	23mm Buzzer 75 dbA		
Horn – BellConfiguration	With front panel buttons – via ISPSim Software		
Case			
Case type	Panel type		
Case Standard	UL94Vo Self-extinguish		
Dimensions (WxLxD)	144x144x77 mm		
PanelMounting	Plug-in with panel mounting sleeve		
Protection Class	IP51(from the front)		
Weight	585 gr		
Environmental Features			
Operating temperature	-20 C – +60 C		
Storage temperature	-25 C – +80 C		
Humidity	0-95% RH		
Package			
Package type	Carton Box		
Package dimensions(WxLxD)	183x107x153 mm		
Weight	690 gr		

ISP-16-DX- WIRING SCHEME



Outline Dimensions



ISO 9001-2000 Cert. No:689866

TELEPRO ENERJİ VE ELEKTRONİK SİSTEMLERİ SAN. TİC. LTD. ŞTİ.
Ferhatpaşa Mah. 99.Sok. No:46/5 ATAŞEHİR – İSTANBUL / TURKEY
Tel : +90 216 469 73 73 pbx Fax: +90 216 469 73 74
web: www.telepro.com.tr e-posta: info@telepro.com.tr

Telepro Enerji is reserving the right to alter the data and information mentioned here, at any time without giving notice.

telepro[®]
Telepro Enerji ve Elektronik Sistemleri San. Tic. Ltd. Şti.